



REFERENCE : KI0429

SIZES : U

COMPOSITION :

Main fabric : Polyester 2 tone 600D PVC backing - 460 100% polyester

Fabric 1 : Synthetic fabric - Polyester with PU coating As contrast material, on bottom panel + small bottom parts of front/back/side panels + handles + flap of front pocket + strap

Lining : Polyester 210D PU backing - 75 As inside lining. 100% polyester

Lining : Polyester fleece - 150 As inside layer of small top pocket. 100%polyester

Material 3 : PVC quality As back panel of the shoulder pad.

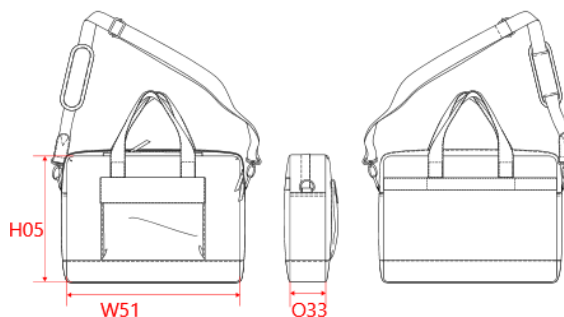
100%polyvinyl chloride

TECHNICAL DETAIL :

PVC backing

ARTICLE WEIGHT :

660 gr/pc



DESCRIPTION
Français : Sac porte ordinateur businessman
English : Business laptop bag
Nederlands : Laptoptas businessman
Deutsch : Business-Laptoptasche
Español : Bolsa business para ordenador
Italiano : Borsa porta computer Businessman
Português : Mala para computador

COLORS	PANTONE SERIGRAPHIE
Graphite blue heather	-
Graphite grey heather	-

MEASUREMENT	
Description	U
H05 Hauteur totale / Total height	30
W51 Total width	40
O33 Deep of bottom part	10

PACKING	
Box	15 pcs / box Size => L: 52cm W: 38cm H: 55cm GW: 11,2Kg NW: 10,2Kg