

KARIBAN

REFERENCE : K752

SIZES : 38_40_42_44_46_48_50_52_54

COMPOSITION :

Main fabric : Washed Cotton twill - 200 100%cotton

Lining : Cotton chambray - 130 For pocket bag , fly piping, inside waist and back rise 100%cotton

WEIGHT :

Main fabric : 200 gsm

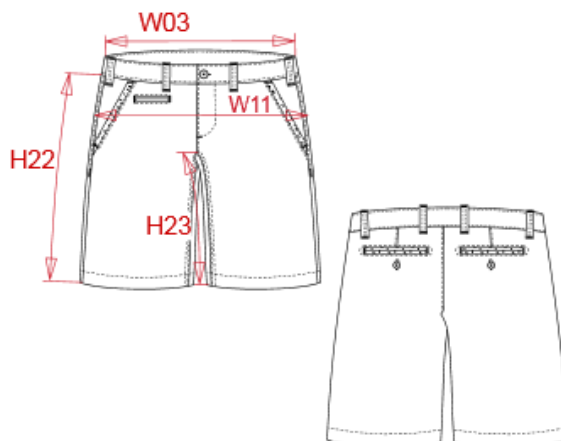
Lining : 130 gsm

TECHNICAL DETAIL :

Enzyme washed

ARTICLE WEIGHT :

280 gr/pc



DESCRIPTION										COLORS		PANTONE SERIGRAPHIE	
Français : Bermuda aspect délavé homme										Washed charcoal		447C	
English : Men's washed effect bermuda shorts										Washed marsala		7616C	
Nederlands : Herenbermuda met verwassen look										Washed smoky blue		Cool gray 8C	
Deutsch : Bermuda-Shorts für Herren im ausgewaschenen Look										Washed light khaki		7764C	
Español : Bermuda efecto lavado para hombre										Washed navy		432C	
Italiano : Bermuda uomo aspetto slavato													
Português : Bermuda pré-lavada de homem													
MEASUREMENT													
Description	38	40	42	44	46	48	50	52	54				
W03 (M)* 1/2 largeur taille / 1/2 waist width	41,50	43,50	45,50	47,50	50	52,50	55	57,50	60				
W11 (M)* 1/2 bassin / 1/2 hip width	50	52	54	56	58	60	62	64	66				
H22 (M)* Longueur côté / Side length	43,05	43,80	44,55	45,30	46,05	46,80	47,55	48,30	49,05				
H23 (M)* Longueur entrejambe / Inside leg length	25,25	25,50	25,75	26	26,25	26,50	26,75	27	27,25				
CARE LABEL													
PACKING													
Box	25 pcs / box 38 => L:58 cm W: 38 cm H:19 cm GW: 8.90kg NW: 7.50 kg 40 => L:58 cm W: 38 cm H:19 cm GW: 9.15kg NW: 7.75 kg 42 => L:58 cm W: 38 cm H:19 cm GW: 9.50kg NW: 8.81 kg 44 => L:58 cm W: 38 cm H:19 cm GW: 9.65kg NW: 8.25 kg 46 => L:58 cm W: 38 cm H:19 cm GW:9.95 kg NW: 8.55 kg 48 => L:60 cm W: 40 cm H:19 cm GW:10.35 kg NW: 8.95 kg 50=> L:60 cm W: 40 cm H:19 cm GW:10.55 kg NW:9.15 kg 52=> L:60 cm W: 40 cm H:19 cm GW:10.80 kg NW:9.40 kg 54=> L:60 cm W: 40 cm H:19 cm GW:11.10 kg NW: 9.70 kg												