

KARIBAN

REFERENCE : K969

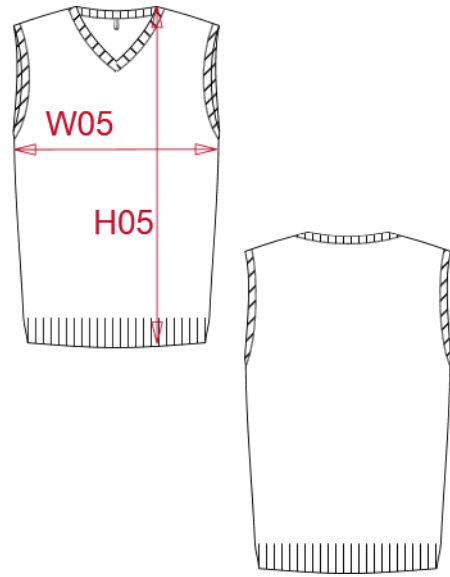
SIZES : S_M_L_XL_XXL_3XL_4XL

COMPOSITION :

Main fabric : Knit Cotton / Acrylic yarn (32/2) 50/50 - 290 50% cotton / 50%acrylic

WEIGHT :

Main fabric : ± 290 gsm



DESCRIPTION
Français : Pull homme sans manche col V
English : Men's sleeveless jumper
Nederlands : Heren spencer met V-hals
Deutsch : Herren pullunder
Español : Jersey escote de pico sin mangas
Italiano : Gilet uomo
Português : Colete malha

COLORS	PANTONE SERIGRAPHIE
Black	Black
Grey melange	Based on 402C
Navy	433C

MEASUREMENT							
Description	S	M	L	XL	2XL	3XL	4XL
H05 (M) Hauteur totale / Total height	68	70	72	74	76	78	80
W05 (M) 1/2 largeur poitrine à 1.5cm de l'emmanchure / 1/2 chest width at 1.5cm below armhole	48	51	54	57	60	63	66

CARE LABEL				

PACKING	
Box	10 pcs / box S => L:60cm W:40cm H:13cm GW:2.20kg NW:3.80kg M => L:60cm W:40cm H:13cm GW:2.30kg NW:3.90kg L => L:60cm W:40cm H:13cm GW:2.50kg NW:4.10kg XL => L:60cm W:40cm H:13cm GW:2.60kg NW:4.20kg XXL => L:60cm W:40cm H:13cm GW:2.80kg NW:4.40kg 3XL => L:60cm W:40cm H:13cm GW:3.00kg NW:4.60kg 4XL => L:60cm W:40cm H:13cm GW:3.20kg NW:4.80kg