



REFERENCE : KI0122

SIZES : U

COMPOSITION :

Main fabric : Polyester 2 tone 600D PVC backing - 460 100% polyester

Lining : Polyester 210D PU backing - 75 As inside lining. 100% polyester

Fabric 2 : Polyester puffy mesh On back panel + back side of shoulder straps. 100%polyester

Mesh 1 : Polyester mesh - 150 On lateral pockets. 100% polyester

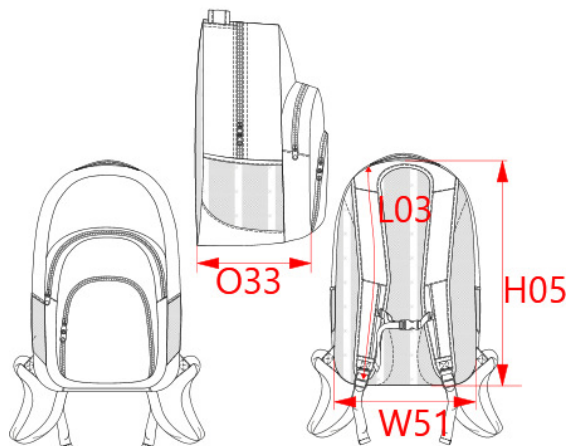
Lining : Polyester micropolar fleece - 180 For inner PC compartment. 100%polyester

TECHNICAL DETAIL :

PVC backing

ARTICLE WEIGHT :

630 gr/pc



DESCRIPTION
Français : Sac à dos ordinateur
English : Padded computer backpack
Nederlands : Gewatteerde laptop rugzak
Deutsch : Gepolsterter laptop rucksack
Español : Mochila porta ordenador
Italiano : Zaino porta computer
Português : Mochila para computador

COLORS	PANTONE SERIGRAPHIE
Dark grey	447C
Navy	433C

MEASUREMENT	
Description	U
H05 Hauteur totale / Total height	52
W51 Total width	33
O33 Deep of bottom part	23
L03 Shoulder strap total length	48,50

PACKING	
Box	20 pcs / box U => L:54cm W:45cm H:62cm GW:13,6Kg NW:12,6Kg