



REFERENCE : KI0138

SIZES : U

COMPOSITION :

Main fabric : Polyester oxford 600D PVC backing For full bag on outside. 100%polyester

Lining : Polyester 210D PU backing - 75 As inside lining on main compartment. 100%polyester

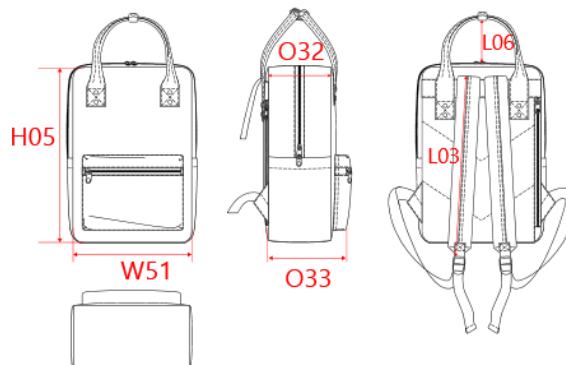
Lining : Polyester micropolar fleece - 150 Inside of inside pocket 100%polyester

TECHNICAL DETAIL :

PU backing

ARTICLE WEIGHT :

280 gr/pc



DESCRIPTION		COLORS	PANTONE SERIGRAPHIE
Français : Sac à dos style urbain		Black	Black
English : Urban backpack		Iris blue	7545C
Nederlands : Rugzak in urban stijl		Light marsala	7613C
Deutsch : City-Rucksack			
Español : Mochila de estilo urbano			
Italiano : Zaino stile urbano			
Português : Mochila estilo urbano			

MEASUREMENT							
Description	U						
H05 Hauteur totale / Total height	36						
W51 Total width	25,50						
O33 Deep of bottom part	16						
O32 Deep of top part	13						
L03 Longueur totale bretelle épaule / Shoulder strap total length	36						
L06 Light of top handle	11						

PACKING	
Box	25 pcs / box Size => L: 43cm W: 39cm H: 65cm GW: 9,8Kg NW: 8,8Kg