



**REFERENCE :** KI0248

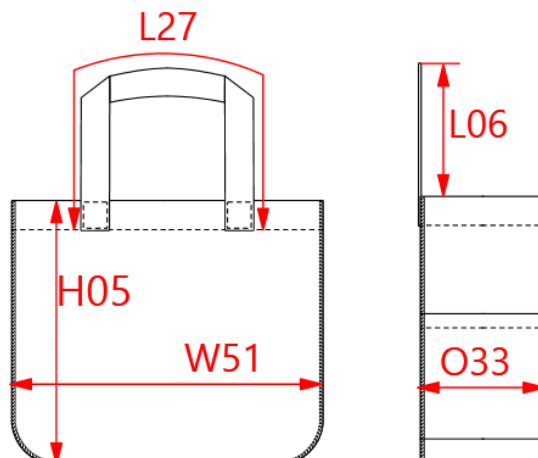
**SIZES :** U

**COMPOSITION :**

Main fabric : Jute - 280 100%jute

**ARTICLE WEIGHT :**

274 gr/pc



#### DESCRIPTION

**Français :** Sac en jute avec couture contrastée

**English :** JUTE BAG WITH CONTRAST STITCHING

**Nederlands :** Zak van jute met contrasterende naad

**Deutsch :** Jutetasche mit Kontrastnähten

**Español :** Bolsa de yute con costuras contrastadas

**Italiano :** Borsa in iuta con cucitura a contrasto

**Português :** Saco em juta com costura em contraste

#### COLORS

#### PANTONE SERIGRAPHIE

Arandano red /  
Natural

7622C / 7504C

Black / Natural

Black / 7504C

Delphinium blue /  
Natural

549C / 7504C

Natural / Arandano  
red

7504C / 7622C

#### MEASUREMENT

Description	U						
<b>H05</b> Hauteur totale / Total height	38						
<b>W51</b> Total width	45						
<b>O33</b> Deep of bottom part	18						
<b>L06</b> Height of stretched top handle	24						
<b>L27</b> Handles length	59						

#### PACKING

Box	40 pcs / box U => L:48cm W:42cm H:40cm GW:11.9kg NW:10.4kg
-----	---