



KI0292

## Shopper classica extra large in cotone

100% Cotone. Shopper in cotone versione extra large. Manici nello stesso materiale della borsa. Facilissima la decorazione.



### Informazioni complementari

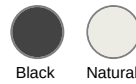
#### Logistica



#### Paese d'origine



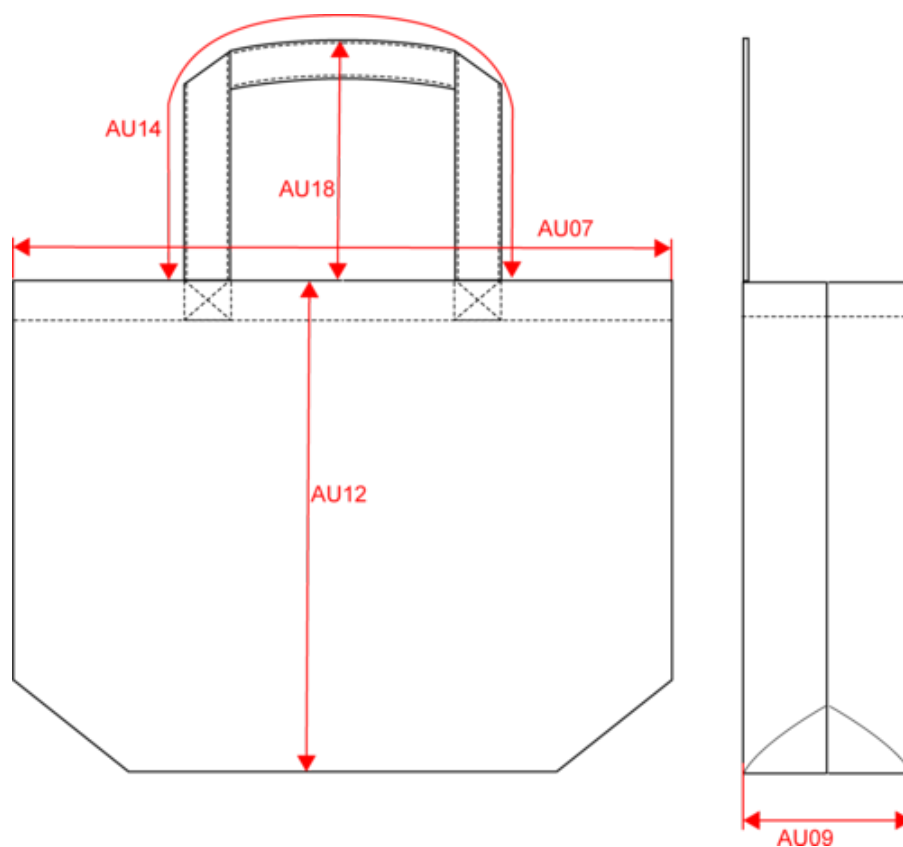
#### Codice doganale



KI0292

## Shopper classica extra large in cotone

## Dimensioni



Measurements in cm	One size
AU07 - Total width	58.00
AU09 - Depth of bottom part	14.00
AU12 - Total height	42.00
AU14 - Handle length	60.00
AU24 - Handle height	28.00



KI0292

## Shopper classica extra large in cotone

### Informazioni colori



**Black**

RVB : 35,35,37  
Pantone C : Black  
Pantone TCX : 19-4004TCX



**Natural**

RVB : 229,227,215  
Pantone C : 7534C  
Pantone TCX : 12-0404TCX

### Logistica



1



50

Sizes	Width (cm)	Height (cm)	Length (cm)	Net weight (kg)	Gross weight (kg)	Pieces/Box	Pieces/Bundle
One Size	45.00	22.00	60.00	6.25000	8.75000	50	1