

KI0297

## Shopper classica in taglia 3XL

100% cotone. Shopper classica doppiamente extra-large in dimensioni. Manici in nastro di cotone in contrasto di colore



### Informazioni complementari

#### Logistica



#### Paese d'origine



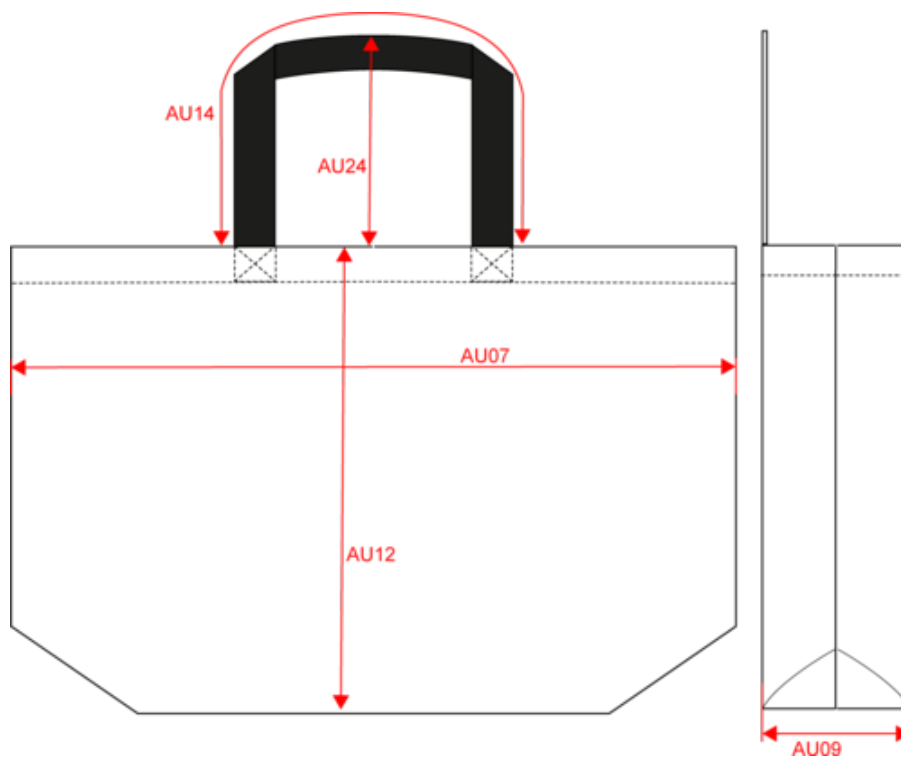
#### Codice doganale



KI0297

## Shopper classica in taglia 3XL

## Dimensioni



Measurements in cm	One size
AU09 - Depth of bottom part	15.00
AU12 - Total height	48.00
AU14 - Handle length	55.00
AU24 - Handle height	21.00
	55.00
AU07 - Total width	70.00



KI0297

## Shopper classica in taglia 3XL

## Informazioni colori

**Black**

RVB : 35,35,37  
 Pantone C : Black  
 Pantone TCX : 19-4004TCX

**Natural**

RVB : 229,227,215  
 Pantone C : 7534C  
 Pantone TCX : 12-0404TCX

**Natural**

RVB : 229,227,215  
 Pantone C : 7534C  
 Pantone TCX : 12-0404TCX

**Black**

RVB : 35,35,37  
 Pantone C : Black  
 Pantone TCX : 19-4004TCX

**Navy**

RVB : 41,46,56  
 Pantone C : 433C  
 Pantone TCX : 19-4012TCX

**Natural**

RVB : 229,227,215  
 Pantone C : 7534C  
 Pantone TCX : 12-0404TCX

Logistica



1



40

Sizes	Width (cm)	Height (cm)	Length (cm)	Net weight (kg)	Gross weight (kg)	Pieces/Box	Pieces/Bundle
One Size	50.00	22.00	72.00	12.60000	15.10000	40	1