

**REFERENCE :** KI0342

**SIZES :** U

**COMPOSITION :**

Main fabric : Polyamide/Elastanne-85/15 For top of large panel  
85% Polyamide 15% Elastanne

Main fabric : Polyamide/Elastanne-85/15 For top small panel  
and under large panel 85% Polyamide 15% Elastanne

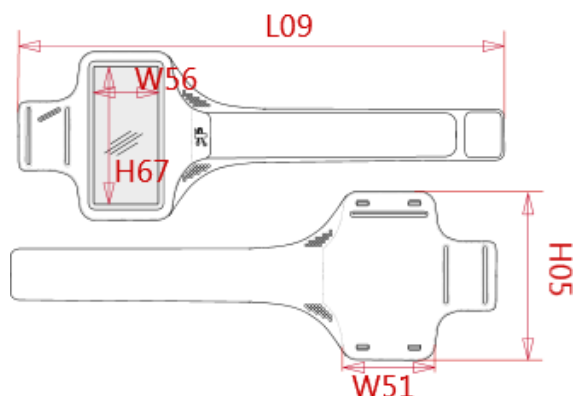
Fabric 2 : Crystal transparent PVC On front phone window.  
100%polyvinyl chloride

**TECHNICAL DETAIL :**

Repellent

**ARTICLE WEIGHT :**

46 gr/pc



DESCRIPTION								COLORS		PANTONE SERIGRAPHIE	
<b>Français :</b> Brassard pour smartphone avec passant écouteurs <b>English :</b> Smartphone armband with headphone loop <b>Nederlands :</b> Armband voor smartphone met gaatje voor koptelefoon <b>Deutsch :</b> Smartphone-Armgürtel mit Kopfhörerdurchlass <b>Español :</b> Brazaletes para smartphone con trabilla para auriculares <b>Italiano :</b> Polsino per smartphone con passante per auricolari <b>Português :</b> Braçadeira para smartphone com orifício de acesso para								Dark grey / Silver		432C / 877C	
MEASUREMENT											
Description	U										
<b>H05</b> Hauteur totale / Total height	17										
<b>W51</b> Total width	8										
<b>H67</b> Height of the inside window	14										
<b>W56</b> Width of the inside window	7,70										
<b>L09</b> Total length	47,50										
PACKING											
Box	200 pcs / box U => L:39cm W:36cm H:33cm GW:8.9Kg NW:8.3Kg										