



REFERENCE : KI0353

SIZES : U

COMPOSITION :

Main fabric : Jute PU backing - 330 For bag 100%jute

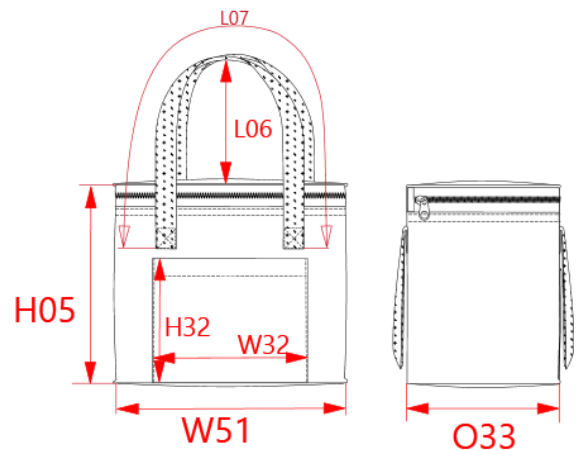
Main fabric : Cotton canvas - 130 For front pouch 100%cotton

Lining 1 : EPA foam High density insulating internal foam 100% EPA

Lining 2 : PEVA Aluminium lining on inside, special for cooler bags. 100%polyethylene vinyl acetate

ARTICLE WEIGHT :

245 gr/pc



DESCRIPTION		COLORS	PANTONE SERIGRAPHIE
Français : Sac isotherme en jute - modèle moyen English : Jute cool bag- medium size Nederlands : Koeltas van jute - middelgroot model Deutsch : Mittelgroße Kühltasche aus Jute Español : Bolsa isotérmica de yute - modelo mediano Italiano : Borsa isotermica in iuta - modello medio Português : Saco isotérmico em juta - modelo médio		Natural	7534C
MEASUREMENT			
Description	U		
H05 Hauteur totale / Total height	25		
W51 Total width	28		
L07 Light of shoulder handles	61		
H32 Hauteur poche devant / Front pocket height	18		
W32 Largeur poche devant / Front pocket width	20		
L06 Light of top handle	22		
O33 Deep of bottom part	17		
PACKING			
Box	40 pcs / box U => L:62cm W:50cm H:55cm GW:12.88kg NW:10.40kg		