



**REFERENCE :** KI0403

**SIZES :** U

**COMPOSITION :**

Main fabric : Polyester oxford 600D PVC backing 100% polyester

Lining : Polyester 210D PU backing - 75 As lining for back panel and flap. 100%polyester

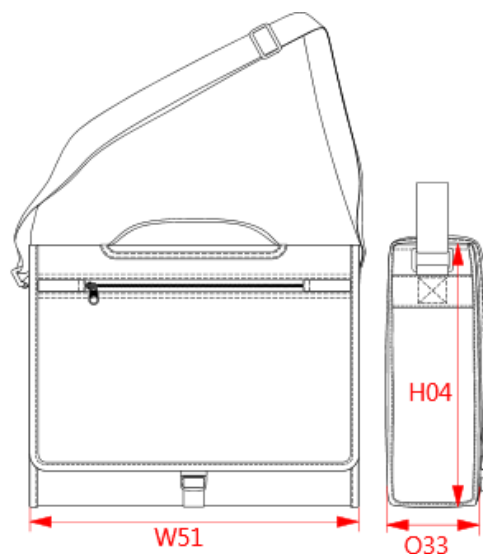
Padding : special PAD for shoulder & shoulder straps of backpacks Thickness 4mm. On inside of the handle.

**TECHNICAL DETAIL :**

PVC backing

**ARTICLE WEIGHT :**

350 gr/pc



DESCRIPTION		COLORS		PANTONE SERIGRAPHIE	
<b>Français :</b> Porte document		Black	Black		
<b>English :</b> Shoulder belt document bag		Corde	402C		
<b>Nederlands :</b> Shoulder belt document bag		Slate grey	424C		
<b>Deutsch :</b> Schulter-Dokumententasche		Red	1795C		
<b>Español :</b> Carpeta porta documentos					
<b>Italiano :</b> Cartella porta documenti					
<b>Português :</b> Mala porta documentos					
MEASUREMENT					
Description	U				
<b>W51</b> Total width	38				
<b>H04</b> Hauteur coté / Side length	31				
<b>O33</b> Deep of bottom part	10				
PACKING					
Box	30 pcs / box U => L:43cm W:41cm H:41cm GW:11,4kg NW:10,4kg				