



**REFERENCE :** KI0638

**SIZES :** U

**COMPOSITION :**

Main fabric : PVC tarpaulin 500D waterproof backing support  
100% Polyester - PVC coating

Main fabric : PVC tarpaulin 500D waterproof backing patch  
under handle and shoulder strap support 100% Polyester -  
PVC coating

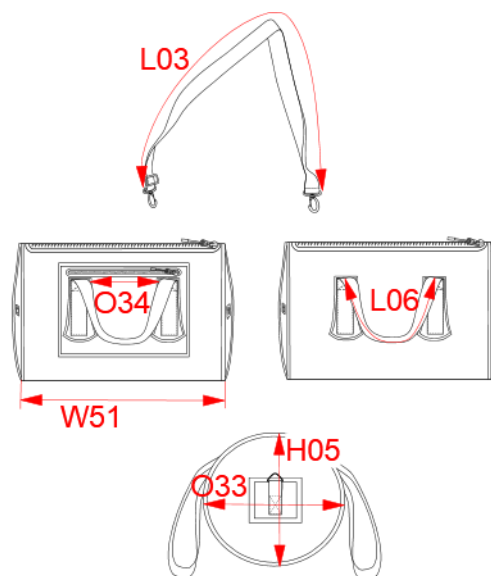
Fabric 2 : Crystal transparent PVC for inside pocket 100%  
polyvinyl chloride

**TECHNICAL DETAIL :**

Waterproof 8000mm

**ARTICLE WEIGHT :**

430 gr/pc



DESCRIPTION
<b>Français :</b> Sac fourre-tout étanche
<b>English :</b> WATERPROOF HOLDALL
<b>Nederlands :</b> Waterdichte reistas
<b>Deutsch :</b> Wasserdichte Beuteltasche
<b>Español :</b> Bolsa impermeable
<b>Italiano :</b> Borsa portatutto impermeabile
<b>Português :</b> Saco multiusos impermeável

COLORS	PANTONE SERIGRAPHIE
Black / Black	Black / Black
Aqua blue / Black	7690C / Black

MEASUREMENT						
Description	U					
<b>W51</b> Total width	40					
<b>H05</b> Hauteur totale / Total height	25					
<b>O33</b> Deep of bottom part	25					
<b>L03</b> Longueur bretelle épaule au maximum / Shoulder strap length at maximum	106					
<b>L06</b> Handle strap length	65					

PACKING	
Box	20 pcs / box U => L:47cm W:40.5cm H:36.8cm GW:12.44kg NW:kg