



REFERENCE : KI0924

SIZES : U

COMPOSITION :

Main fabric : Water repellent Cotton canvas - 250 100% cotton

Lining : T/C Polyester lining · 170 As inside lining. Polyester

Main fabric : Synthetic fabric - Polyester with PU coating - 280

As contrast fabric on bottom panle + bottom part of front/back/lateral panels. 100%polyester - Polyurethane coating

Wad 1 : Polyester non woven fabric Between material and lining. Polyester

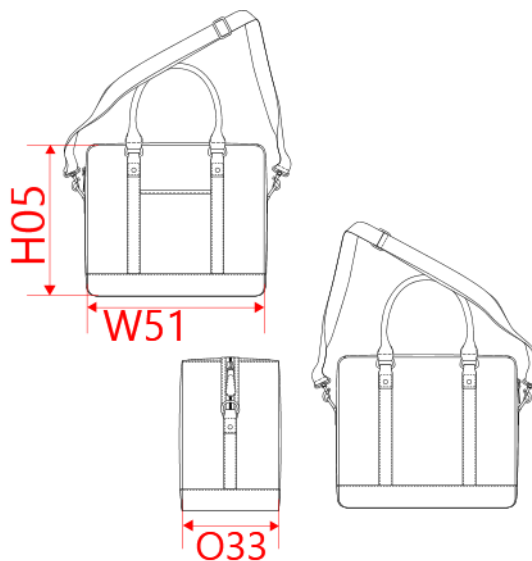
Foam : PP foam Between material and lining. PP

TECHNICAL DETAIL :

wax water repellent coating

ARTICLE WEIGHT :

870 gr/pc



DESCRIPTION
Français : Sac de voyage en coton enduit
English : Travel bag in water repellent cotton canvas
Nederlands : Reistas van katoen met coating
Deutsch : Reisetasche aus beschichteter Baumwolle
Español : Bolsa de viaje en algodón revestido
Italiano : Borsa da viaggio in cotone spalmato
Português : Saco de viagem em algodao revestido

COLORS	PANTONE SERIGRAPHIE
Black	Black

MEASUREMENT	
Description	U
H05 Hauteur totale / Total height	34
W51 Total width	40
O33 Deep of bottom part	22

PACKING	
Box	10 pcs / box Size => L:56cm W:45cm H:35cm GW: NW:8,7Kg