



**REFERENCE :** KI0147

**SIZES :** U

**COMPOSITION :**

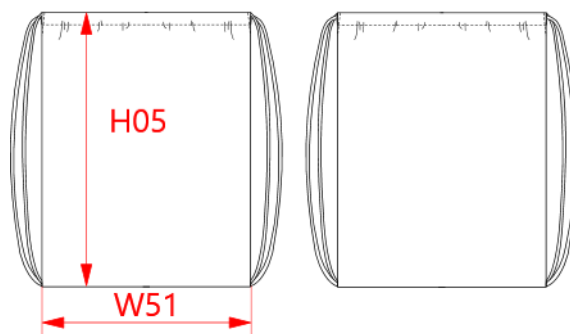
Fabric 1 : Organic cotton woven - 130 OCS certified 100% organic cotton

**TECHNICAL DETAIL :**

OCS certified

**ARTICLE WEIGHT :**

54 gr/pc



DESCRIPTION								COLORS		PANTONE SERIGRAPHIE		
<b>Français :</b> Petit sac à dos en coton bio avec cordelettes								Black	Black			
<b>English :</b> ORGANIC COTTON SMALL DRAWSTRING BAG								Natural	7534C			
<b>Nederlands :</b> Rugzakje van biokatoen met koordjes								Dark pink	494C			
<b>Deutsch :</b> Kleiner Rucksack aus Bio-Baumwolle mit Kordeln								Magenta	205C			
<b>Español :</b> Mochila de algodón orgánico pequeña								Navy	433C			
<b>Italiano :</b> Sacca zaino con cordini in cotone bio								Pistachio green	358C			
<b>Português :</b> Mochila pequena em algodão biológico com cordões								Tropical blue	7468C			
								White	White			
								Hibiscus red	1815C			
MEASUREMENT												
Description	U											
<b>H05</b> Hauteur totale / Total height	36											
<b>W51</b> Total width	30											
PACKING												
Box	200 pcs / box U => L:40cm W:35cm H:40cm GW:11.05kg NW:10kg											