



**REFERENCE :** KI0354

**SIZES :** U

**COMPOSITION :**

Main fabric : Jute PU backing - 330 For bag 100%jute

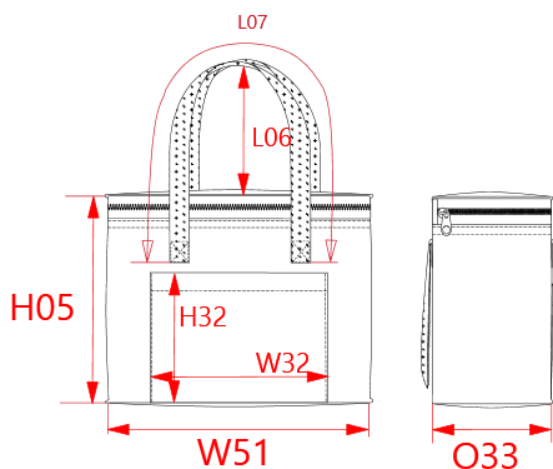
Main fabric : Cotton canvas - 130 For front pouch 100%cotton

Lining 1 : EPA foam High density insulating internal foam 100% EPA

Lining 2 : PEVA Aluminium lining on inside, special for cooler bags. 100%polyethylene vinyl acetate

**ARTICLE WEIGHT :**

335 gr/pc



| DESCRIPTION   |   | COLORS  | PANTONE<br>SERIGRAPHIE |
|---|---|---------|------------------------|
| <b>Français :</b> Sac isotherme en jute - grand modèle<br><b>English :</b> Jute cool bag-large size<br><b>Nederlands :</b> Koeltas van jute - groot model<br><b>Deutsch :</b> Große Kühltasche aus Jute<br><b>Español :</b> Bolsa isotérmica de yute - modelo grande<br><b>Italiano :</b> Borsa isotermica in iuta - modello grande<br><b>Português :</b> Saco isotérmico em juta - modelo grande |   | Natural | 7534C                  |
| MEASUREMENT   |   |         |                        |
| Description   | U   |         |                        |
| <b>H05</b> Hauteur totale / Total height  | 32  |         |                        |
| <b>W51</b> Total width  | 38  |         |                        |
| <b>L07</b> Light of shoulder handles  | 61  |         |                        |
| <b>H32</b> Hauteur poche devant / Front pocket height   | 26  |         |                        |
| <b>W32</b> Largeur poche devant / Front pocket width  | 30  |         |                        |
| <b>L06</b> Light of top handle  | 22  |         |                        |
| <b>O33</b> Deep of bottom part  | 16  |         |                        |
| PACKING   |   |         |                        |
| Box   | 40 pcs / box<br>U => L:70cm W:60cm H:55cm GW:16.55kg NW:13.20kg |         |                        |