



REFERENCE : KI0888

SIZES : U

COMPOSITION :

Main fabric : Polyester 2 tone 600D PVC backing - 460 As main fabric. 100%polyester

Material 5 : PU quality On front panel + handles. 100% polyurethane

Fabric 2 : Polyester puffy mesh On back panel + back part of shoulder straps + bottom part of top handle. 100%polyester

Lining : Polyester 210D PU backing - 75 For inside lining. 100% polyester

Lining : Polyester 210D PU backing - 75 For rain cover. 100% polyester

Lining : Polyester micropolar fleece - 180 Inside, on laptop compartment. 100%polyester

Mesh : Polyester mesh - 75 For inner pocket + gusset of lateral external pockets. 100%polyester

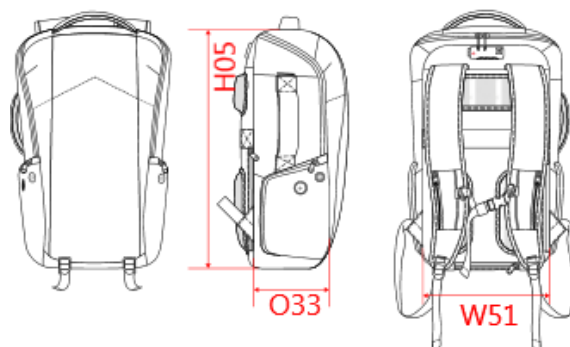
Material 7 : EVA quality 3mm thicknes for inside front and side panels.

6mm thicknes for side back panel and shoulders and top

Wad 1 : Polyester non woven fabric Inside the bag. Polyester

TECHNICAL DETAIL :

PVC backing



DESCRIPTION		COLORS	PANTONE SERIGRAPHIE
Français : Sac à dos antivol		Graphite Grey Heather / Black	
English : Anti-theft backpack		Black / Black	Black / Black
Nederlands : Anti-theft backpack			
Deutsch : Diebstahlsicherer Rucksack			
Español : Mochila antirobo			
Italiano : Zaino antitaccheggio			
Português : Mochila anti-roubo			
MEASUREMENT			
Description	U		
H05 (M) Hauteur totale / Total height	49		
W51 Total width	28		
O33 Deep of bottom part	16		
PACKING			
Box	6 pcs / box U => L:68cm W:68cm H:54cm GW:9.0kg NW:7.2kg		