

native spirit

NS106
Borsone in felpa

A proposito di

- Capo realizzato in tessuti ecosostenibili.
- Tessuto LSF.
- No label: 100% personalizzabile con il proprio progetto.

Esterno: 85 % cotone biologico. 15 % poliestere riciclato post-consumo. Fodera: 75% cotone biologico. 22% Poliestere riciclato post-consumer. 3% altre fibre. ONE SIZE (25 x 50 x 25cm) Capienza : 31L. Felpa. Cotone pettinato. Tessuto LSF (Low Shrinkage Fleece: felpa preristretta) 3 fili. Fodera in materiali riciclati (cotone e poliestere). Apertura con doppia zip. Foderato con tasca interna a zip e zip di personalizzazione in nylon riciclato. Zip d'apertura in metallo riciclato. Manici rinforzati.

 350 g/m² 

Taglie



Informazioni complementari

Logistica

Paese d'origine

Codice doganale



1



30



BD - Bangladesh



42029298

Istruzioni di lavaggio



Certificazioni


Made with 33% recycled materials.
Certified by EcoCert Greenlife in accordance
with the RCS standard available at
<https://www.ecoexchange.org/>
EGL N°163963 / TOPTEX Belgique


Made with 33% recycled materials.
Certified by EcoCert Greenlife in accordance
with the RCS standard available at
<https://www.ecoexchange.org/>
EGL N°163960 / TOPTEX France


Made with 67% Organic materials.
Certified by EcoCert Greenlife in accordance
with the RCS standard available at
<https://www.ecoexchange.org/>
EGL N°163963 / TOPTEX Belgique


Made with 67% Organic materials.
Certified by EcoCert Greenlife in accordance
with the RCS standard available at
<https://www.ecoexchange.org/>
EGL N°163960 / TOPTEX France

 **VEGAN**

 **NO LABEL**

ORGANIC COTTON

100% POST-CONSUMER RECYCLED POLYESTER

ENZYME WASH

4
50 ct

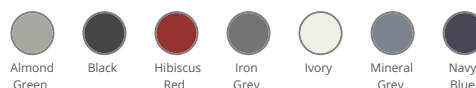
7 COLOURS

LSF

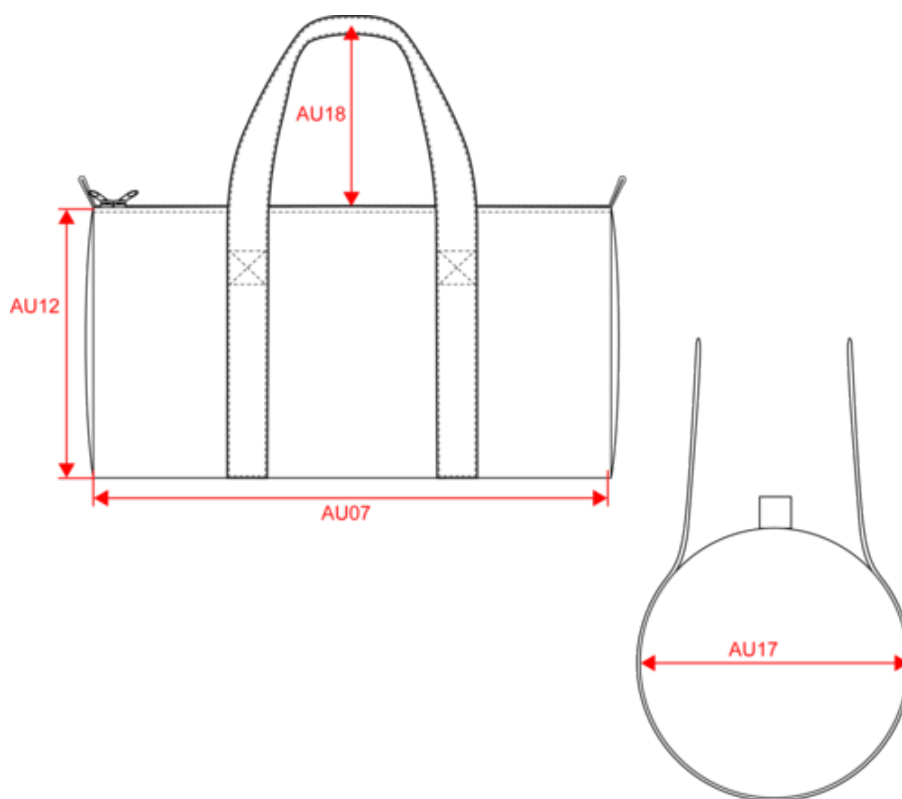

Made with 67% Organic materials.
Certified by EcoCert Greenlife.
EGL N°165561 / NATIVE SPIRIT


Made with 33% recycled materials.
Certified by EcoCert Greenlife in accordance
with the RCS standard available at
<https://www.ecoexchange.org/>
EGL N°165561 / NATIVE SPIRIT

Colori



Dimensioni



Measurements in cm	One size
AU07 - Total width	50.00
AU12 - Total height	25.00
AU17 - Total depth	25.00

native  spiritNS106
Borsone in felpa

Informazioni colori

**Almond Green**RVB : 140,143,129
Pantone C : 416C
Pantone TCX : 16-6008TCX**Black**RVB : 35,35,37
Pantone C : Black
Pantone TCX : 19-4004TCX**Hibiscus Red**RVB : 134,27,47
Pantone C : 1815C
Pantone TCX : 19-1656TCX**Iron Grey**RVB : 78,80,82
Pantone C : 446C
Pantone TCX : 19-3901TCX**Ivory**RVB : 236,231,218
Pantone C : 7534C
Pantone TCX : 11-0701TCX**Mineral Grey**RVB : 94,104,116
Pantone C : 431C
Pantone TCX : 18-4215TCX**Navy Blue**RVB : 41,45,57
Pantone C : 433C
Pantone TCX : 19-4010TCX

Logistica



1



30

Sizes	Width (cm)	Height (cm)	Length (cm)	Net weight (kg)	Gross weight (kg)	Pieces/Box	Pieces/Bundle
One Size	40.00000	0.00	60.00000	0.00000	0.00000	30	1