

# PROACT.®

**REFERENCE :** PA536

**SIZES :** U

**COMPOSITION :**

Main fabric : Polyester oxford 600D PVC backing 100% Polyester

Main fabric : Polyester oxford 600D PVC backing As contrast color on top part of front panel. 100% Polyester

Main fabric : Polyester oxford 600D PVC backing As contrast color on top part of front panel. 100% Polyester

Main fabric : Polyester oxford 600D PVC backing As contrast color on bottom zipped compartment. 100% Polyester

Lining : Polyester 190T PU backing As lining on inner part of back panel+front pocket+bottom pocket. 100% polyester

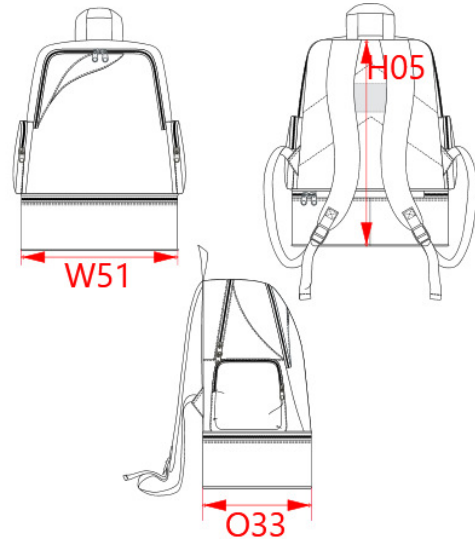
Padding : special PAD for shoulder & shoulder straps of backpacks As padding on inside of shoulder straps+ back panel.

**TECHNICAL DETAIL :**

PVC backing

**ARTICLE WEIGHT :**

700 gr/pc



DESCRIPTION	
<b>Français :</b>	Sac à dos multisports fond rigide
<b>English :</b>	Team sports backpack with rigid bottom
<b>Nederlands :</b>	Teamsports backpack with rigid bottom
<b>Deutsch :</b>	Vereinsport-Rucksack mit verstärktem
<b>Español :</b>	Mochila deportiva de equipos
<b>Italiano :</b>	Zaino per team sportivi
<b>Português :</b>	Mochila de desporto com fundo rígido

COLORS	PANTONE SERIGRAPHIE
Black / White / Light Grey	Black / White / 2331C
Red / White / Light Grey	1795C / White / 2331C
Royal blue / White / LightGrey	287C / White / 2331C

MEASUREMENT	
Description	U
<b>H05</b> Hauteur totale / Total height	47
<b>W51</b> Total width	35
<b>O33</b> Deep of bottom part	24

PACKING	
Box	10 pcs / box U => L:52cm W:42cm H:49cm GW:8kg NW:7kg